



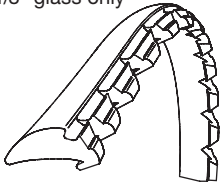
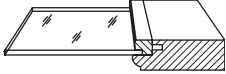
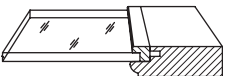
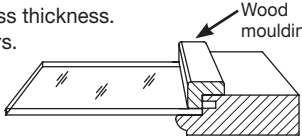
Wood and 5-Piece MDF Frame Only Doors

Most Conestoga wood and MDF door designs are available with a frame only option to match your solid panel door designs. Frame only doors are a perfect accent and can accommodate a wide array of decorative glass, wire mesh and other inserts.

Pricing

To calculate frame only door square foot material charges use 9" for the width, regardless of actual width, multiplied by the actual height, divided by 144. Multiply total square footage by the appropriate material charge found in the Material Pricing Guide. Add the material charge to the design charge of the desired door style.

- For TW and CRP designs, use the CRP design charge and category B material charges. For example, TW-20 and CRP-20 both use the CRP-20 design charge. Most applied moulding designs use material category C.
- Frame only products exceeding 50" in width and height receive a \$50 upcharge for manual sanding and special handling.

Frame Only and Mullion Framing Options		
 <p>Regular bead shown</p> <p>Frame only doors come standard with glass retainer moulding groove.</p>	 <p>Non-grooved framing is available. Simply specify "No rout for retainer moulding" in the special instructions portion of the order form.</p>	
Retainer Moulding Options (specify moulding number)		
<p>Clear (standard) for 1/8" glass only</p> 	<p>#906, for 1/8" glass only</p>  <p>#907, for 1/4" glass</p> 	<p>#52 for varying glass thickness. Use on radius doors.</p>  <p>#83 (similar to #52) for Barcelona, Bristol, Cortland, CRP-10209 and TW-10916. Wood retainer mouldings should be predrilled to avoid splitting.</p>

Wood and 5-Piece MDF Mullion Doors

Conestoga offers a wide variety of mullion configurations and options. Mullions illustrated on the following pages are only a representation of the available patterns. Contact our Special Designs Department for additional mullion information. MDF mullion doors will be constructed with MDF framing and Paint Grade Hard Maple mullion strips.

Pricing

To calculate mullion door square foot material charges use 9" for the width, regardless of actual width, multiplied by the actual height, divided by 144. Multiply total square footage by the appropriate material charge found in the Material Pricing Guide. Add the material charge to the design charge of the desired door. Add appropriate lite charges indicated in the Mullion Design chart.

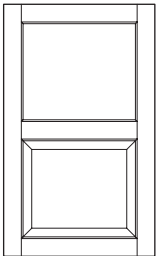
- For TW and CRP designs, use the CRP design charge and category B material charges. For example TW-20 and CRP-20 both use the CRP-20 design charge.
- Availability of miter and applied moulding mullion doors is listed throughout the Doors and Drawer Fronts section and the MDF/Alternative Materials section. Use published design charge plus material category.
- Most miter designs default to Regular bead profile on the mullion strips. Contact Customer Service for mullion profile confirmation.

Wood and 5-Piece MDF Mullion Design Options		
Design	Price	Design Notes
F-007, Regular and Ogee bead mullions F-1223, Square bead mullions	\$3.40/lite 3.90/lite	<ul style="list-style-type: none"> • Fitted for one piece of glass per door.
Elite, F-877, Special (mullion bead differs from framing bead) Odd mullion configuration <i>Odd mullion configuration 1-piece MDF doors will be priced by our Special Designs Department.</i>	9.10/lite 11.60/door	<ul style="list-style-type: none"> • Fitted for one piece of glass per door. • Special mullions apply to all miter designs except CRP-10 Miter.
True Divided Lites F-007, Regular and Ogee bead mullions F-1223, Square bead mullions F-877, Elite/Special (mullion bead differs from framing bead) Odd mullion configuration	8.25/lite 8.75/lite 13.95/lite 11.60/door	<ul style="list-style-type: none"> • Fitted for individual pieces of glass per lite. • These doors have 7/8" wide mullions unless otherwise specified. • Glass retainer moulding not supplied.
Mullion Width Details		Frame Only and Mullion Framing Options
Framing Bead	Mullion Width	
Regular	5/8" wide for 3/4" thick doors 3/4" wide for 1" thick doors	<p>Regular bead shown</p> <ul style="list-style-type: none"> • Mullion doors come standard with glass retainer moulding groove. • Non-grooved framing is available. Simply specify "No rout for retainer moulding" in the special instructions portion of the order form.
Elite, F-877, F-1223, Square	5/8"	
F-007	15/16"	
Ogee	7/8"	
Retainer Moulding Options (specify moulding number)		
Clear (standard) for 1/8" glass only 	#906 , for 1/8" glass only #907 , for 1/4" glass 	#52 for varying glass thickness. Use on radius doors. #83 (similar to #52) for Barcelona, Bristol, Cortland, CRP-10209 and TW-10916. Wood retainer mouldings should be predrilled to avoid splitting.

1-Piece MDF Mullion and Frame Only Doors

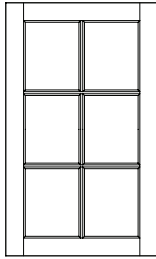
1-Piece MDF Mullion and Frame Only Pricing		
Design	Design Charge	Material Charge
Radius Corner Series	Design Charge x 1.25	Calculate material charge using actual square footage (width x height) ÷ 144 x appropriate material charge.
Square Corner Series	Design Charge x 1.6	
Mullion Lite Options		
Mullion lite placement will be balanced. Indicate number of lites desired.		
Design	Price	Design Notes
Standard Lites	\$3.40 per lite	<ul style="list-style-type: none"> Standard mullion lites have radius corners, are fitted for one piece of glass, and are used on RC series doors. Mullions available: 10RC, 10RC2, 10RC3, 30RC.
Special Lites	\$9.10 per lite	<ul style="list-style-type: none"> Special mullion lites are fitted for one piece of glass, have square corners, and are used on applicable SQ Series doors. Mullions available: 10SQ3, 10SQ5, 20SQ3, 30SQ3.
Clear plastic moulding is standard on MDF mullion doors. If using glass other than 1/8" thick, specify our #52 moulding retainer.		

Frame Only with Panel



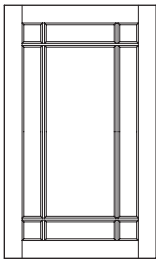
- Most 5-piece wood and MDF door designs are available with a frame only and panel.
- Only available as a 2 opening upright door. Specify frame only opening dimensions.
- All published wood species and select MDF designs are available.
- All 3/4" framing beads available. Regular, Ogee and Square also available in 1".
- For panel, all published panel raises and plywood panel designs are available (subject to design limitations).
- Clear plastic retainer moulding standard unless otherwise specified. Wood retainer moulding or no retainer moulding options available.
- True divided lite option available. Upcharge applies.
- List pricing is design charge x 2 plus \$10.00 option charge.
- Mullion with panel also available. Contact Special Designs.

Mullion Doors



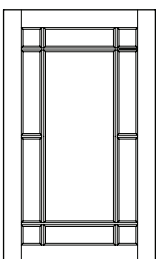
Standard Lite Mullion

- Specify 4-lite, 6-lite, 8-lite, 10-lite or 12-lite when ordering.
- All lites will be evenly spaced unless otherwise requested. Odd mullion configuration charges will apply if custom spacing is requested.
- Standard Lite Mullions will be configured two lites wide regardless of size unless otherwise requested.
- All 3/4" framing beads available. Regular, Ogee, Square and Elite also available in 1".
- Matching mullion profiles in F-007, F-1223, Regular, Ogee and Square. Elite and F-877 framing beads receive Regular bead mullion profile.
- Minimum door size – 7-7/8" x 7-7/8" with 2-5/16" wide framing.
- Clear plastic retainer moulding standard unless otherwise specified. Wood retainer moulding or no retainer moulding options available.
- True divided lite option available. Upcharge applies.



9-Lite Offset Mullion*

- 9-lite Offset Mullion features 2" x 2" corner lites standard.
- All 3/4" framing beads available. Regular, Ogee, Square and Elite also available in 1".
- Matching mullion profiles in F-007, F-1223, Regular, Ogee and Square. Elite and F-877 framing beads receive Regular bead mullion profile.
- Minimum door size – 11-7/8" x 11-7/8" with 2-5/16" wide framing.
- Clear plastic retainer moulding standard unless otherwise specified. Wood retainer moulding or no retainer moulding options available.
- Odd mullion configurations upcharge applies.
- True divided lite option available. Upcharge applies.

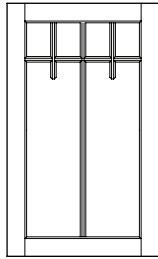


11-Lite Offset Mullion*

- 11-lite Offset Mullion features 2" x 2" corner lites standard.
- All 3/4" framing beads available. Regular, Ogee, Square and Elite also available in 1".
- Matching mullion profiles in F-007, F-1223, Regular, Ogee and Square. Elite and F-877 framing beads receive Regular bead mullion profile.
- Minimum door size – 11-7/8" x 14-5/8" with 2-5/16" wide framing.
- Clear plastic retainer moulding standard unless otherwise specified. Wood retainer moulding or no retainer moulding options available.
- Odd mullion configurations upcharge applies.
- True divided lite option available. Upcharge applies.

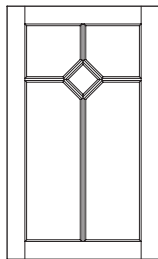
***Caution:** Long, continuous mullion strips are highly susceptible to bowing and warping. This condition is typically the result of moisture absorption and expansion of door framing which applies pressure against the mullion strips. Conestoga does not warranty mullions that bow due to exposure to high humidity conditions or environments. A clear adhesive applied between the back of the mullion strip and glass panel may help reduce the amount of noticeable mullion movement. Standard lite mullions are recommended for use in high moisture conditions.

Mullion Doors (continued)



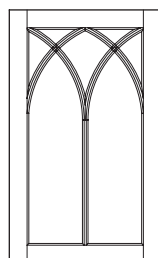
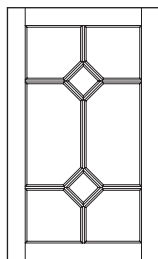
Odyssey Mullion*

- A 6 lite design with two mullion strips extending below horizontal mullion.
- A dimensioned sketch must accompany each Odyssey Mullion order.
- All 3/4" framing beads available. Regular, Ogee, Square and Elite also available in 1".
- Matching mullion profiles in F-007, F-1223, Regular, Ogee and Square. Elite and F-877 framing beads receive Regular bead mullion profile.
- Minimum door size – 14-7/8" x 11-3/8" with 2-5/16" wide framing.
- Clear plastic retainer moulding standard unless otherwise specified. Wood retainer moulding or no retainer moulding options available.
- Odd mullion configurations upcharge applies.
- True divided lite option available. Upcharge applies.



Diamond Mullion* / Double Diamond Mullion*

- Diamond Mullion features a 4" x 4" diamond lite centered in the width of the door opening and 4-1/2" from the top rail. The Double Diamond Mullion features two 4" x 4" diamond lites centered in the width of the door opening and 4-1/2" from top and bottom rails.
- All 3/4" framing beads available. Regular, Ogee, Square and Elite also available in 1".
- Matching mullion profiles in F-007, F-1223, Regular, Ogee and Square. Elite and F-877 framing beads receive Regular bead mullion profile.
- Diamond Mullion minimum door size – 12-5/8" x 18-5/8" with 2-5/16" wide framing. Double Diamond minimum door size – 12-5/8" x 25-1/4" with 2-5/16" wide framing.
- Clear plastic retainer moulding standard unless otherwise specified. Wood retainer moulding or no retainer moulding options available.
- Diamond Mullion receives a 5 lite design charge. Double Diamond Mullion receives an 8 lite design charge.
- Odd mullion configurations upcharge applies.
- For Diamond Mullion pricing add \$120.00 list to door design charge, then add individual lite charges and odd configuration upcharge. For Double Diamond Mullion pricing add \$180.00 list to door design charge, then add individual lite charges and odd configuration upcharge.

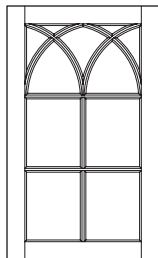


Arched Lite Mullion*

- Arched Lite Mullions feature 7 radius lites.
- All 3/4" framing beads available except F-877, F1223 and Elite. Regular, Ogee and Square also available in 1". Ogee and F-007 framing bead may burnish when coped.
- Matching mullion profiles in F-007, Regular, Ogee and Square.
- Minimum door size – 11-5/8" x 9-5/8" with 2-5/16" wide framing.
- Clear plastic retainer moulding standard unless otherwise specified. Wood retainer moulding or no retainer moulding options available.
- Arched Lite Mullions will be quoted through Special Designs.
- A drawing will be sent to customer for approval prior to manufacturing process beginning.

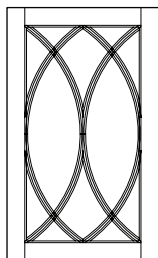
***Caution:** Long, continuous mullion strips are highly susceptible to bowing and warping. This condition is typically the result of moisture absorption and expansion of door framing which applies pressure against the mullion strips. Conestoga does not warranty mullions that bow due to exposure to high humidity conditions or environments. A clear adhesive applied between the back of the mullion strip and glass panel may help reduce the amount of noticeable mullion movement. Standard lite mullions are recommended for use in high moisture conditions.

Mullion Doors (continued)



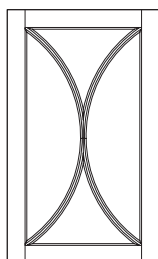
Arch Lite with Horizontal Lite Mullion

- Features 11 radius lites – rectangular lites will vary depending on height of door.
- 3/4" F-007, F-1223, Regular, Ogee and Square framing beads available. Regular, Ogee and Square also available in 1". Ogee and F-007 framing beads may burnish when coped.
- Matching mullion profiles in F-007, F-1223, Regular, Ogee and Square.
- Minimum door size – 11-5/8" x 9-5/8" with 2-5/16" wide framing.
- Clear plastic retainer moulding standard unless otherwise specified. Wood retainer moulding or no retainer moulding options available.
- Must be quoted through Special Designs. Additional lead-time is required.
- A drawing will be sent to customer for approval prior to manufacturing process beginning.



Continuous Double Arched Lite Mullion*

- Continuous Double Arched Lite Mullions feature 12 radius lites.
- All 3/4" framing beads available except F-877 and Elite. Regular, Ogee and Square also available in 1". Ogee and F-007 framing bead may burnish when coped.
- Matching mullion profiles in F-007, F-1223, Regular, Ogee and Square.
- Minimum door size – 11-5/8" x 14-15/16" with 2-5/16" wide framing.
- Clear plastic retainer moulding standard unless otherwise specified. Wood retainer moulding or no retainer moulding options available.
- Continuous Double Arched Lite Mullions quoted through Special Designs.
- A drawing will be sent to customer for approval prior to manufacturing.

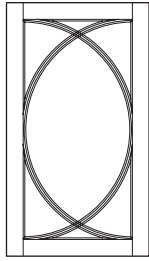


Double Bow Mullion

- Features 4 radius lites. Two symmetrical arches intersect in center of door opening.
- All 3/4" framing beads available. Regular, Ogee, Square and Elite also available in 1".
- Matching mullion profiles in F-007, F-1223, Regular, Ogee and Square. Elite and F-877 framing beads receive Regular bead mullion profile.
- Minimum door size – 11-5/8" x 11-5/8" with 2-5/16" wide framing.
- Clear plastic retainer moulding standard unless otherwise specified. Wood retainer moulding or no retainer moulding options available.
- Must be quoted through Special Designs. Additional lead-time is required.
- Configuration not available with all sizes. A drawing will be sent to customer for approval prior to manufacturing process beginning.

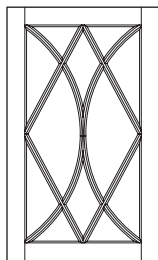
***Caution:** Long, continuous mullion strips are highly susceptible to bowing and warping. This condition is typically the result of moisture absorption and expansion of door framing which applies pressure against the mullion strips. Conestoga does not warranty mullions that bow due to exposure to high humidity conditions or environments. A clear adhesive applied between the back of the mullion strip and glass panel may help reduce the amount of noticeable mullion movement. Standard lite mullions are recommended for use in high moisture conditions.

Mullion Doors (continued)



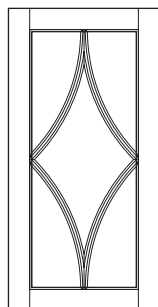
Vesica Mullion

- Features 7 radius lites.
- 3/4" F-007, F-1223, Regular, Ogee and Square framing beads available. Regular, Ogee and Square also available in 1".
- Matching mullion profiles in F-007, F-1223, Regular, Ogee and Square.
- Minimum door size – 8-5/8" x 15-15/16" with 2-5/16" wide framing.
- Clear plastic retainer moulding standard unless otherwise specified. Wood retainer moulding or no retainer moulding options available.
- Must be quoted through Special Designs. Additional lead-time is required.
- Configuration not available with all sizes. A drawing will be sent to customer for approval prior to manufacturing process beginning.



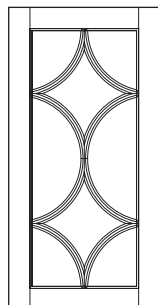
Double Bow Diamond Mullion

- Features double arch mullions and centered diamond with total of 12 lites.
- All 3/4" framing beads available except Elite. Regular, Ogee and Square also available in 1".
- Matching mullion profiles in F-007, F-1223, Regular, Ogee and Square. F-877 framing bead receives Regular bead mullion profile.
- Minimum door size – 11-5/8" x 14-15/16" with 2-5/16" wide framing.
- Clear plastic retainer moulding standard unless otherwise specified. Wood retainer moulding or no retainer moulding options available.
- Must be quoted through Special Designs.
- Configuration not available with all sizes. A drawing will be sent to customer for approval prior to manufacturing process beginning.



Single / Double Diamond Swag Mullion

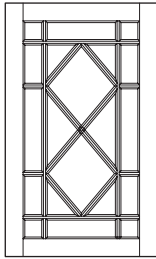
- Features concave-shaped diamond(s) with 5 lites for Single Mullion and 8 lites for Double Mullion.
- All 3/4" framing beads available except F-877 and Elite. Regular, Ogee and Square also available in 1". Ogee and F-007 framing bead may burnish when coped.
- Matching mullion profiles in F-007, F-1223, Regular, Ogee and Square.
- Minimum door size –
Single – 11-5/8" x 11-5/8" with 2-5/16" wide framing.
Double – 11-5/8" x 23"



- Clear plastic retainer moulding standard unless otherwise specified. Wood retainer moulding or no retainer moulding options available.
- Must be quoted through Special Designs.
- Configuration not available with all sizes. A drawing will be sent to customer for approval prior to manufacturing process beginning.

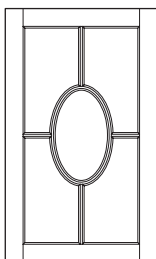
***Caution:** Long, continuous mullion strips are highly susceptible to bowing and warping. This condition is typically the result of moisture absorption and expansion of door framing which applies pressure against the mullion strips. Conestoga does not warranty mullions that bow due to exposure to high humidity conditions or environments. A clear adhesive applied between the back of the mullion strip and glass panel may help reduce the amount of noticeable mullion movement. Standard lite mullions are recommended for use in high moisture conditions.

Mullion Doors (continued)



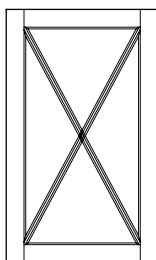
20 Lite Double Diamond Mullion*

- Features 20 lites with 2 diamond lites centered in door opening.
- All 3/4" framing beads available. Regular, Ogee, Square and Elite also available in 1".
- Matching mullion profiles in F-007, F-1223, Regular, Ogee and Square. Elite and F-877 framing beads receive Regular bead mullion profile.
- Minimum door size – 12-5/8" x 18-5/8" with 2-5/16" wide framing.
- Clear plastic retainer moulding standard unless otherwise specified. Wood retainer moulding or no retainer moulding options available.
- Configuration not available with all sizes. A drawing will be sent to customer for approval prior to manufacturing process beginning.



Elliptical Mullion*

- Features an elliptical shape centered in the middle of the door opening.
- Minimum opening of the elliptical shape is 2-1/2" x 5". Must specify size of the centered elliptical shape.
- All 3/4" framing beads available. Regular, Ogee, Square and Elite also available in 1".
- Matching mullion profiles in F-007, F-1223, Regular, Ogee and Square. Elite and F-877 framing beads receive Regular bead mullion profile.
- Minimum door size – 12-5/8" x 13-5/8" with 2-5/16" wide framing.
- Clear plastic retainer moulding standard unless otherwise specified. Wood retainer moulding or no retainer moulding options available.
- Must be quoted through Special Designs.
- A drawing will be sent to customer for approval prior to manufacturing process beginning.

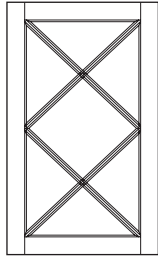


X-Lite Mullion*

- Features diagonal mullion pattern.
- All 3/4" framing beads available. Regular, Ogee, Square and Elite beads also available in 1".
- Matching mullion profiles in F-007, F-1223, Regular, Ogee and Square. Elite and F-877 framing beads receive Regular bead mullion profile.
- Minimum door size – 8-5/8" x 8-5/8" with 2-5/16" wide framing.
- Clear plastic retainer moulding standard unless otherwise specified. Wood retainer moulding or no retainer moulding options available.
- X-Lite Mullion receives a 4 lite design charge.
- Odd mullion configurations upcharge applies.
- For X-Lite Mullion pricing add \$105.00 list to door design charge, then add individual lite charges and odd configuration upcharge.

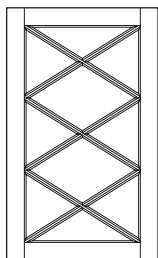
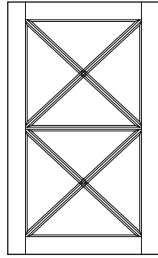
***Caution:** Long, continuous mullion strips are highly susceptible to bowing and warping. This condition is typically the result of moisture absorption and expansion of door framing which applies pressure against the mullion strips. Conestoga does not warranty mullions that bow due to exposure to high humidity conditions or environments. A clear adhesive applied between the back of the mullion strip and glass panel may help reduce the amount of noticeable mullion movement. Standard lite mullions are recommended for use in high moisture conditions.

Mullion Doors (continued)



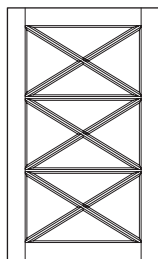
Double X Mullion / Double X Horizontal Lite Mullion

- Features two diagonal crisscrossed mullion patterns.
- Available with or without one centered horizontal mullion.
- All 3/4" framing beads available. Regular, Ogee, Square and Elite beads also available in 1".
- Matching mullion profiles in F-007, F-1223, Regular, Ogee and Square. Elite and F-877 framing beads receive Regular bead mullion profile.
- Minimum door size – 8-5/8" x 13-1/8" with 2-5/16" wide framing.
- Clear plastic retainer moulding standard unless otherwise specified. Wood retainer moulding or no retainer moulding options available.
- Double X Mullion receives a 7 lite design charge; Double X Horizontal Lite Mullion receives an 8 lite design charge.
- Double X and Double X Horizontal Lite Mullion openings are equal.
- Odd mullion configurations upcharge applies.
- For Double X Mullion pricing add \$210.00 list to door design charge, then add individual lite charges and odd configuration upcharge. For Double X Horizontal Lite Mullion pricing add \$215.00 list to door design charge, then add individual lite charges and odd configuration upcharge.



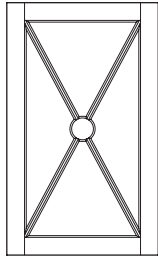
Triple X Mullion / Triple X Horizontal Lite Mullion

- Features three diagonal crisscrossed mullion patterns.
- Available with or without two centered horizontal mullions.
- All 3/4" framing beads available. Regular, Ogee, Square and Elite beads also available in 1".
- Matching mullion profiles in F-007, F-1223, Regular, Ogee and Square. Elite and F-877 framing beads receive Regular bead mullion profile.
- Minimum door size – 8-5/8" x 17-3/4" with 2-5/16" wide framing.
- Clear plastic retainer moulding standard unless otherwise specified. Wood retainer moulding or no retainer moulding options available.
- Triple X Mullion receives a 10 lite design charge; Triple X Horizontal Lite Mullion receives a 12 lite design charge.
- Triple X and Triple X Horizontal Lite Mullion openings are equal.
- Odd mullion configurations upcharge applies.
- For Triple X Mullion pricing add \$305.00 list to door design charge, then add individual lite charges and odd configuration upcharge. For Triple X Horizontal Lite Mullion pricing add \$315.00 list to door design charge, then add individual lite charges and odd configuration upcharge.

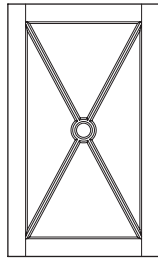


***Caution:** Long, continuous mullion strips are highly susceptible to bowing and warping. This condition is typically the result of moisture absorption and expansion of door framing which applies pressure against the mullion strips. Conestoga does not warranty mullions that bow due to exposure to high humidity conditions or environments. A clear adhesive applied between the back of the mullion strip and glass panel may help reduce the amount of noticeable mullion movement. Standard lite mullions are recommended for use in high moisture conditions.

Mullion Doors (continued)



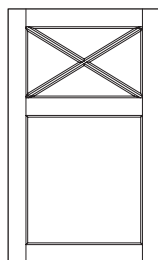
X-Lite w/Solid Hub



X-Lite w/Open Hub

X-Lite with Solid Hub Mullion* / X-Lite with Open Hub Mullion*

- Features diagonal crisscrossed mullion pattern with hub centered in the door opening. Hub can be open or solid.
- Open hub diameter is dependent on framing bead profile. Open bead hub with F-1223, Regular, Square and Elite beads will receive 3" diameter hub. Ogee bead will receive a 3-1/4" diameter hub. F-007 bead will receive a 3-7/8" diameter hub.
- Solid hubs for F-1223, Regular, Square and Elite bead mullions receive a 2" diameter hub. F007 and Ogee beads will receive a 3" diameter hub.
- All 3/4" framing beads available. Regular, Ogee, Square and Elite beads also available in 1".
- Matching mullion profiles in F-007, F-1223, Regular, Ogee and Square. Elite and F-877 beads receive Regular bead mullion profile.
- Minimum door size – 9-5/8" x 9-5/8" with 2-5/16" wide framing.
- Clear plastic retainer moulding standard unless otherwise specified. Wood retainer moulding or no retainer moulding options available.
- X-Lite with Open Hub Mullion receives a 5 lite design charge; X-Lite with Solid Hub Mullion receives a 4 lite design charge.
- Odd mullion configurations upcharge applies.
- For X-Lite with Open Hub Mullion pricing add \$155.00 list to door design charge, then add individual lite charges. For X-Lite with Solid Hub Mullion pricing add \$155.00 list to door design charge, then add individual lite charges.

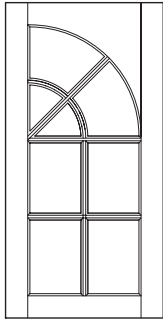


X-Lite Panel Mullion

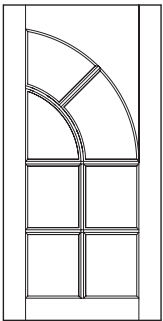
- Features two-panel door with diagonal crisscrossed mullion pattern in top opening and a panel or frame only in the bottom opening.
- Customer must specify top opening size.
- All 3/4" framing beads available. Regular, Ogee, Square and Elite beads also available in 1".
- Matching mullion profiles in F-007, F-1223, Regular, Ogee and Square. Elite and F-877 beads receive Regular bead mullion profile.
- Minimum door size – 8-5/8" x 15-1/8" with 2-5/16" wide framing.
- Clear plastic retainer moulding standard unless otherwise specified. Wood retainer moulding or no retainer moulding options available.
- X-Lite with Panel Mullion receives a 4 lite design charge.
- Odd mullion configurations upcharge applies.
- For X-Lite with Panel Mullion pricing add \$105.00 list to door design charge, then add individual lite charges and odd configuration upcharge.

***Caution:** Long, continuous mullion strips are highly susceptible to bowing and warping. This condition is typically the result of moisture absorption and expansion of door framing which applies pressure against the mullion strips. Conestoga does not warranty mullions that bow due to exposure to high humidity conditions or environments. A clear adhesive applied between the back of the mullion strip and glass panel may help reduce the amount of noticeable mullion movement. Standard lite mullions are recommended for use in high moisture conditions.

Mullion Doors (continued)



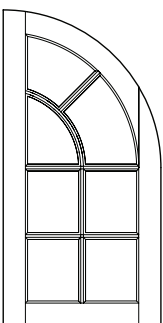
QC1000



QC2000

QC1000 / QC2000 Mullions

- Design charge \$190.00-B.
- Quarter Circle mullion doors are typically ordered in sets. When left and right doors are paired on a cabinet, display case or piece of furniture, they create a highly attractive design element.
- 3/4" F-007, F-1223, Regular, Ogee and Square framing beads available.
- Matching mullion profiles available in F-007, F-1223, Regular, Ogee and Square.
- Minimum door width is 10" x 17" with 2-5/16" wide framing on face and 1-13/16" framing on back. Door height must always exceed the door width by at least 2-1/2".
- Specify the number of lites desired when ordering. The visual appeal of the QC mullion doors is greatly impacted by the number of lites.
 - ◆ For the QC1000 mullion design, consult the chart on page 6.10 to see the recommended number of lites per door size.
 - ◆ For the QC2000 mullion design, consult the chart on page 6.11 to see the recommended number of lites per door size.
- Clear plastic retainer moulding standard unless otherwise specified. Wood retainer moulding and no retainer moulding options available.
- True divided lite option available. Upcharges apply.



QC3000

QC3000 Mullion

- Design charge \$210.00-B.
- Quarter Circle mullion doors are typically ordered in sets. When left and right doors are paired on a cabinet, display case or piece of furniture, they create a highly attractive design element.
- 3/4" F-007, F-1223, Regular, Ogee and Square framing beads available.
- Matching mullion profiles available in F-007, F-1223, Regular, Ogee and Square.
- Minimum door width is 10" x 17" with 2-5/16" wide framing on face and 1-13/16" framing on back. Door height must exceed the door width by at least 2-1/2".
- Specify the number of lites desired when ordering. The visual appeal of the QC mullion doors is greatly impacted by the number of lites.
 - ◆ For the QC3000 mullion design, consult the chart on page 6.11 to see the recommended number of lites per door size.
- Clear plastic retainer moulding standard unless otherwise specified. #52 wood retainer moulding and no retainer moulding options available.

Quarter Circle 1000 Radius Mullion Recommendations

Use this chart to determine the ideal number of mullion lites for a given Quarter Circle 1000 door size or to determine availability for a given door size.

Door/Mullion Lite Availability and Recommendations																	
Height	10	11	12	13	14	15	16	17	18	19	20	21	22	23	24	25	26
12																	
13																	
14																	
15																	
16																	
17																	
18																	
19																	
20																	
21																	
22																	
23																	
24																	
25																	
26																	
27																	
28																	
29																	
30																	
31																	
32																	
33																	
34																	
35																	
36																	
37																	
38																	
39																	
40																	
41																	
42																	
43																	
44																	
45																	
46																	
47																	
48																	

NOT AVAILABLE

NOT RECOMMENDED

6

8

10

14

12

Sizes exceeding 48" in height must specify number of lites.

Quarter Circle 2000 and 3000 Radius Mullion Recommendations

Use this chart to determine the ideal number of mullion lites for a given Quarter Circle 2000 and 3000 door size or to determine availability for a given door size.

Door/Mullion Lite Availability and Recommendations																	
Height	10	11	12	13	14	15	16	17	18	19	20	21	22	23	24	25	26
12																	
13																	
14																	
15																	
16																	
17																	
18																	
19																	
20																	
21																	
22																	
23																	
24																	
25																	
26																	
27																	
28																	
29																	
30																	
31																	
32																	
33																	
34																	
35																	
36																	
37																	
38																	
39																	
40																	
41																	
42																	
43																	
44																	
45																	
46																	
47																	
48																	

NOT AVAILABLE

NOT RECOMMENDED

5

7

9

11

13

Sizes exceeding 48" in height must specify number of lites.