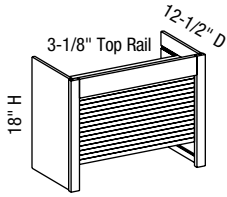


AG/CSAG - Appliance Garage



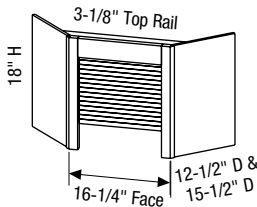
Custom Size Ranges
Width: 24" & 30" only
Height: 18"
Depth: 5-1/2" – 27"

D	DF	DB	EXT	EXP	FL	WS	MI	FT
			✓	✓	✓		✓	

- Sliding tambour door is standard. Hinged butt doors are optional.
- Hard Maple and Soft Maple cabinets will have a Hard Maple tambour door.
- AG30 not available in Red Oak.

Cabinet Code	Advantage				Essence	Doors			Drawer Fronts		
	Price	Exposed End (ea.)	Flush End (ea.)	Shelf	Price	Inset	1/2"	1-1/4"	Inset	1/2"	1-1/4"
AG2418	\$90.07	\$93.98	\$94.81	—	\$87.92	2.1	2.4	2.7	—	—	—
AG3018	103.33	107.24	108.07	—	101.04	2.7	3.1	3.4	—	—	—

CAG/CSCAG - Corner Appliance Garage



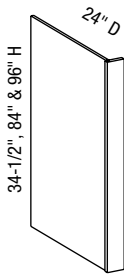
Custom Size Ranges
Width: 24" & 27" only
Height: 18"
Depth: 24" & 27" only

D	DF	DB	EXT	EXP	FL	WS	MI	FT
				✓	✓		✓	

- Sliding tambour door is standard. Hinged door is optional.
- Hard Maple and Soft Maple cabinets will have a Hard Maple tambour door.

Cabinet Code	Advantage				Essence	Doors			Drawer Fronts		
	Price	Exposed End (ea.)	Flush End (ea.)	Shelf	Price	Inset	1/2"	1-1/4"	Inset	1/2"	1-1/4"
CAG2418	\$82.63	\$86.67	\$87.53	—	\$80.39	1.4	1.6	1.7	—	—	—
CAG2718	83.83	88.86	89.93	—	81.39	1.4	1.6	1.7	—	—	—

DWEP/REP/CSEP - Dishwasher/Refrigerator End Panel



Custom Size Ranges
Width: 1-1/2" & 3"
Height: 12" – 120"
Depth: 5-1/2" – 30"

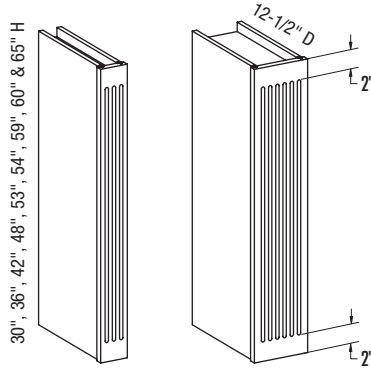
D	DF	DB	EXT	EXP	FL	WS	MI	FT
				STD	✓		STD	

- Advantage line only.
- 1-1/2" or 3" stile.
- Matching specie veneer standard on both sides, except when height exceeds 96-1/16" up to 120", where Natural Birch UV will be used.

Cabinet Code	Price	Flush End (ea.)
DWEP2434.5	\$45.88	\$63.29
REP2484	78.18	121.23
REP2784	80.98	129.61
REP2496	84.18	133.44
REP2796	87.38	143.02

Options Key: D=Number of Doors DF=Number of Drawer Fronts DB=Drawer Boxes EXT=Extended Stiles EXP=Exposed End(s)
FL=Flush End(s) WS=Solid Wood Shelves MI=Matching Interior FT=Flush Toe

WFC/CSWFC - Wall Filler Columns



Custom Size Ranges
 Width: 3" & 6" only
 Height: 12" – 65"
 Depth: 5-1/2" – 27"

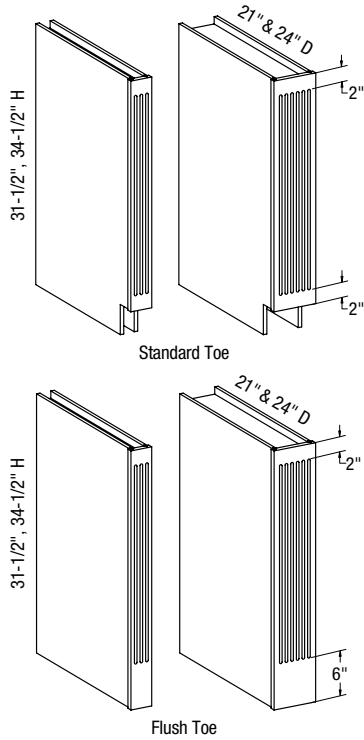
D	DF	DB	EXT	EXP	FL	WS	MI	FT
				✓	✓			

- Specify either tapered, rounded or no flutes.
- 3" columns have three flutes; 6" columns have six flutes.
- When filler columns are required for use with home office base cabinets, order a CSWFC 29-1/2" high.

Cabinet Code	Advantage				Essence	Doors			Drawer Fronts		
	Price	Exposed End (ea.)	Flush End (ea.)	Shelf	Price	Inset	1/2"	1-1/4"	Inset	1/2"	1-1/4"
WFC0330	\$54.29	\$6.50	\$7.89	—	\$51.39	—	—	—	—	—	—
WFC0630	55.79	6.50	7.89	—	52.39	—	—	—	—	—	—
WFC0336	57.31	7.81	9.47	—	53.87	—	—	—	—	—	—
WFC0636	58.81	7.81	9.47	—	55.11	—	—	—	—	—	—
WFC0342	61.62	9.11	11.05	—	57.64	—	—	—	—	—	—
WFC0642	63.13	9.11	11.05	—	58.87	—	—	—	—	—	—
WFC0348	64.65	10.41	12.63	—	60.12	—	—	—	—	—	—
WFC0648	66.15	10.41	12.63	—	61.35	—	—	—	—	—	—
WFC0353	71.69	11.50	13.94	—	66.71	—	—	—	—	—	—
WFC0653	73.19	11.50	13.94	—	67.94	—	—	—	—	—	—
WFC0354	72.19	11.72	14.21	—	67.12	—	—	—	—	—	—
WFC0654	73.69	11.72	14.21	—	68.35	—	—	—	—	—	—
WFC0359	74.71	12.80	15.52	—	69.18	—	—	—	—	—	—
WFC0659	76.21	12.80	15.52	—	70.42	—	—	—	—	—	—
WFC0360	75.21	13.02	15.79	—	69.60	—	—	—	—	—	—
WFC0660	76.72	13.02	15.79	—	70.83	—	—	—	—	—	—
WFC0365	79.49	14.10	17.10	—	73.42	—	—	—	—	—	—
WFC0665	81.00	14.10	17.10	—	74.66	—	—	—	—	—	—

Options Key: D=Number of Doors DF=Number of Drawer Fronts DB=Drawer Boxes EXT=Extended Stiles EXP=Exposed End(s)
 FL=Flush End(s) WS=Solid Wood Shelves MI=Matching Interior FT=Flush Toe

BFC/CSBFC - Base Filler Columns



Custom Size Ranges
Width: 3" & 6" only
Height: 31-1/2" – 96"
Depth: 5-1/2" – 30"

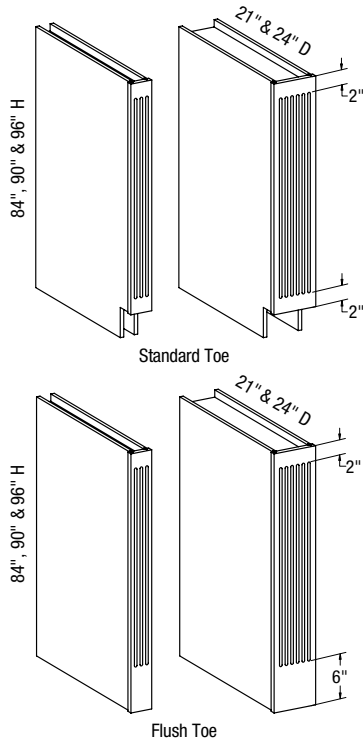
D	DF	DB	EXT	EXP	FL	WS	MI	FT
				✓	✓			✓

- Specify either tapered, rounded or no flutes.
- 3" columns have three flutes; 6" columns have six flutes.
- Cabinets with flush toe option have a 6" lower margin.

Cabinet Code	Advantage				Essence	Doors			Drawer Fronts		
	Price	Exposed End (ea.)	Flush End (ea.)	Shelf	Price	Inset	1/2"	1-1/4"	Inset	1/2"	1-1/4"
BFC0331.5	\$58.38	\$11.72	\$14.22	—	\$53.18	—	—	—	—	—	—
BFC0631.5	60.45	11.72	14.22	—	54.78	—	—	—	—	—	—
BFC0334.5	62.89	14.73	17.86	—	56.38	—	—	—	—	—	—
BFC0634.5	65.16	14.73	17.86	—	58.12	—	—	—	—	—	—

Options Key: D=Number of Doors DF=Number of Drawer Fronts DB=Drawer Boxes EXT=Extended Stiles EXP=Exposed End(s)
FL=Flush End(s) WS=Solid Wood Shelves MI=Matching Interior FT=Flush Toe

TFC/CSTFC - Tall Filler Columns



Custom Size Ranges
 Width: 3" & 6" only
 Height: 31-1/2" - 96"
 Depth: 5-1/2" - 27"

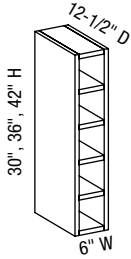
D	DF	DB	EXT	EXP	FL	WS	MI	FT
				✓	✓			✓

- Specify either tapered, rounded or no flutes.
- 3" columns have three flutes; 6" columns have six flutes.
- Cabinets with flush toe option have a 6" lower margin.

Cabinet Code	Advantage				Essence	Doors			Drawer Fronts		
	Price	Exposed End (ea.)	Flush End (ea.)	Shelf	Price	Inset	1/2"	1-1/4"	Inset	1/2"	1-1/4"
TFC0384	\$108.05	\$35.86	\$43.50	—	\$92.71	—	—	—	—	—	—
TFC0684	110.32	35.86	43.50	—	94.44	—	—	—	—	—	—
TFC0390	112.61	38.42	46.60	—	96.14	—	—	—	—	—	—
TFC0690	114.88	38.42	46.60	—	97.93	—	—	—	—	—	—
TFC0396	117.16	40.99	49.71	—	99.68	—	—	—	—	—	—
TFC0696	119.43	40.99	49.71	—	101.41	—	—	—	—	—	—

Options Key: D=Number of Doors DF=Number of Drawer Fronts DB=Drawer Boxes EXT=Extended Stiles EXP=Exposed End(s)
 FL=Flush End(s) WS=Solid Wood Shelves MI=Matching Interior FT=Flush Toe

WSU/CSWSUW - Wine Storage Unit



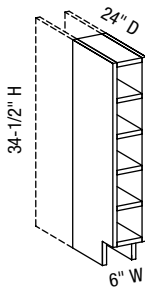
Custom Size Ranges
Width: 6"
Height: 30", 36", 42"
Depth: 12-1/2"– 27"

D	DF	DB	EXT	EXP	FL	WS	MI	FT
				STD			STD	

- Advantage line only.
- 3/4" matching specie plywood with dowel construction.
- Exposed edges are banded with matching specie veneer.
- Hard Maple plywood used for Hard and Soft Maple lines.
- 30" high has 5 openings, 36" high has 6 openings, 42" high has 7 openings.
- 11-3/4" interior depth. When ordered deeper than 12-1/2" side extends past back.

Cabinet Code	Advantage				Essence	Doors			Drawer Fronts		
	Price	Exposed End (ea.)	Flush End (ea.)	Shelf	Price	Inset	1/2"	1-1/4"	Inset	1/2"	1-1/4"
WSU0630	\$105.13	—	—	—	—	—	—	—	—	—	—
WSU0636	116.55	—	—	—	—	—	—	—	—	—	—
WSU0642	127.96	—	—	—	—	—	—	—	—	—	—

WSUD/CSWSUD - Wine Storage Unit Deep



Custom Size Ranges
Width: 6"
Height: 34-1/2" only
Depth: 12-1/2"– 30"

D	DF	DB	EXT	EXP	FL	WS	MI	FT
				STD			STD	

- Advantage line only.
- 3/4" matching specie plywood with dowel construction.
- Exposed edges are banded with matching specie veneer.
- Hard Maple plywood used for Hard and Soft Maple lines.
- 11-3/4" interior depth. When ordered deeper than 12-1/2" side extends past back.

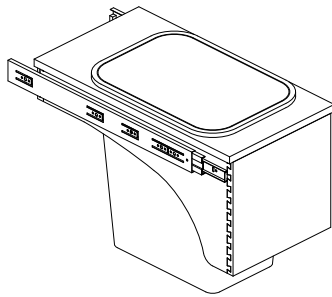
Cabinet Code	Advantage				Essence	Doors			Drawer Fronts		
	Price	Exposed End (ea.)	Flush End (ea.)	Shelf	Price	Inset	1/2"	1-1/4"	Inset	1/2"	1-1/4"
WSUD0634.5	\$131.89	—	—	—	—	—	—	—	—	—	—

Options Key: D=Number of Doors DF=Number of Drawer Fronts DB=Drawer Boxes EXT=Extended Stiles EXP=Exposed End(s)
FL=Flush End(s) WS=Solid Wood Shelves MI=Matching Interior FT=Flush Toe

Trash Can Pull-Outs

- Designed to fit standard 24" deep Cabinet Systems cabinets.
- Available in Natural Birch and Hard Maple.
- 3/4" thick Hard Maple edgebanded plywood top.
- Front height is 10" to accommodate door mounting. Rear height is 3", depth is fixed at 21-3/4".
- Ball bearing full extension drawer slides are standard – no options.
- Trash can pull-out size must be ordered the width and depth of the cabinet it is to be installed in.

TCPS/CSTCPS - Trash Can Pull-Out Single

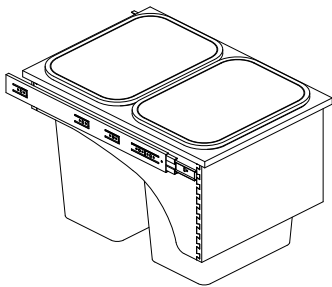


Custom Size Ranges
 Width: 15"– 21"
 Height: Min. opening 16"
 Depth: 24"

- Includes one Rubbermaid® 7-gallon, almond color waste can.

Cabinet Code	Price
TCPS1524	\$132.36
TCPS1824	135.06
TCPS2124	137.76

TCPD/CSTCPD - Trash Can Pull-Out Double

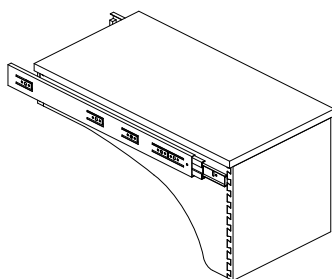


Custom Size Ranges
 Width: 21"– 30"
 Height: Min. opening 16"
 Depth: 24"

- Includes two Rubbermaid® 7-gallon, almond color waste cans.

Cabinet Code	Price
TCPD2124	\$152.76
TCPD2424	155.46
TCPD2724	158.16
TCPD3024	160.86

TCPN/CSTCPN - Trash Can Pull-Out No Cut-Out



Custom Size Ranges
 Width: 15"– 30"
 Height: Min. opening 16"
 Depth: 24"

- Does not include waste can.
- Plywood top is shipped loose.

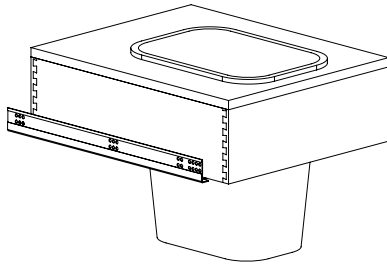
Cabinet Code	Price
TCPN1524	\$122.36
TCPN1824	125.06
TCPN2124	127.76
TCPN2424	130.46
TCPN2724	133.16
TCPN3024	135.86

Options Key: D=Number of Doors DF=Number of Drawer Fronts DB=Drawer Boxes EXT=Extended Stiles EXP=Exposed End(s)
 FL=Flush End(s) WS=Solid Wood Shelves MI=Matching Interior FT=Flush Toe

Trash Can Pull-Outs

- Designed to fit standard 24" deep Cabinet Systems cabinets.
- Natural Birch box and 3/4" thick Hard Maple edgebanded plywood top.
- Unit height is 6" to accommodate door mounting. Depth is fixed at 21-3/4".
- Blum TANDEM Plus full extension drawer slides are standard – no options.
- Trash can pull-out size must be ordered the width and depth of the cabinet it is to be installed in.

TCPTS/CSTCPTS - Trash Can Pull-Out TANDEM Single

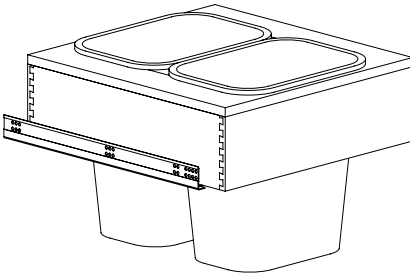


Custom Size Ranges
Width: 18"– 21"
Height: Min. opening 16"
Depth: 24"

- Includes one Rubbermaid® 7-gallon, almond color waste can.

Cabinet Code	Price
TCPTS1824	\$160.88
TCPTS2124	163.10

TCPTD/CSTCPTD - Trash Can Pull-Out TANDEM Double

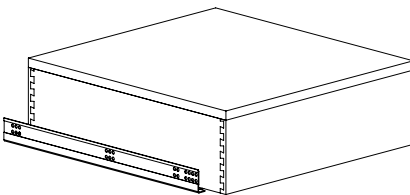


Custom Size Ranges
Width: 24"– 30"
Height: Min. opening 16"
Depth: 24"

- Includes two Rubbermaid® 7-gallon, almond color waste cans.

Cabinet Code	Price
TCPTD2424	\$180.32
TCPTD2724	182.54
TCPTD3024	184.76

TCPTN/CSTCPTN - Trash Can Pull-Out TANDEM No Cut-Out



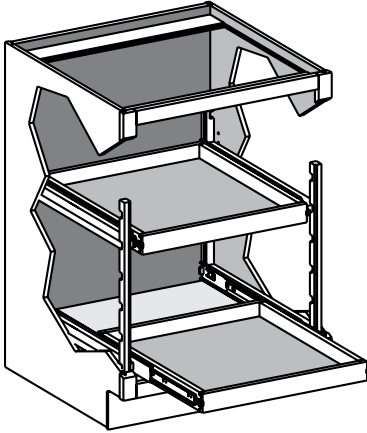
Custom Size Ranges
Width: 18"– 30"
Height: Min. opening 16"
Depth: 24"

- Does not include waste can.
- Plywood top is shipped loose.

Cabinet Code	Price
TCPTN1824	\$150.88
TCPTN2124	153.10
TCPTN2424	155.32
TCPTN2724	157.54
TCPTN3024	159.76

Options Key: D=Number of Doors DF=Number of Drawer Fronts DB=Drawer Boxes EXT=Extended Stiles EXP=Exposed End(s)
FL=Flush End(s) WS=Solid Wood Shelves MI=Matching Interior FT=Flush Toe

Pull-Out Trays



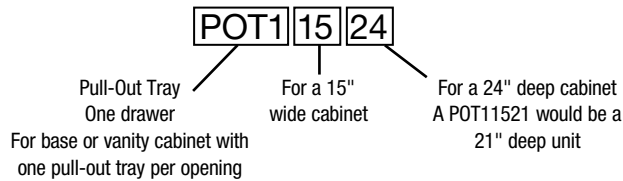
- POT system includes corner cleats and dovetail trays.
- Provides tool free location change of pull out trays.
- Adjustable pull-out system features unfinished Soft Maple components.
- Boxes are 2" high and available for 21" or 24" deep base, vanity or tall cabinets.
- Cabinets ordered with Blum STANDARD 230 slides will receive ball bearing full extension drawer slides.
- Cabinets ordered with Blum TANDEM slides will receive TANDEM slides.
- All POT kits available sized for inset (1-1/2" less in drawer box width) to allow for door clearance with non-mortise hinges. Also can be used in cabinets adjacent to a wall or a tall cabinet where doors may not open fully for additional clearance. Add "I" to the end of the POT code for inset sizing. Example: POT21524-I.
- Pricing: per POT system.

Pull-Out Trays - Product Code Descriptions

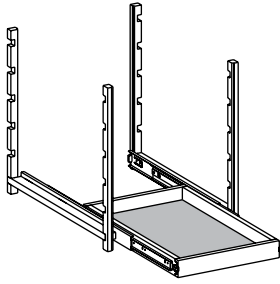
Code	Name	Description
POT1	Pull-Out Tray	For base or vanity cabinet with 1 pull-out tray per opening
POT2	Pull-Out Tray	For base or vanity cabinet with 2 pull-out trays per opening
POTT	Pull-Out Tray Tall	For tall cabinets with 4 pull-out trays
POTS	Pull-Out Tray Single	Individual pull-out tray: drawer cleats, slide, bumpers and one drawer box
BD	Butt Door Indicator	Codes ending in "BD" indicate pull-out trays designed for use with butt door cabinets

On the Cabinet Systems order form, enter the desired pull-out tray code number in the column "Conestoga Cabinet Code #". This pull-out tray must match the width, depth and door configuration of the cabinet it is to be installed in.

Example of pull-out tray code number



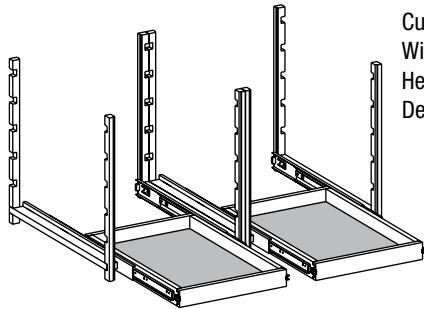
Options Key: D=Number of Doors DF=Number of Drawer Fronts DB=Drawer Boxes EXT=Extended Stiles EXP=Exposed End(s)
 FL=Flush End(s) WS=Solid Wood Shelves MI=Matching Interior FT=Flush Toe

POT1/CSPOT1 - Pull-Out Trays


Custom Size Ranges
 Width: 15"– 36"
 Height: 34-1/2"
 Depth: 21", 24"

- Corner cleats can be trimmed to size when used with a shelf.

24" Deep	Price	24" Deep w/Butt Doors	Price	21" Deep	Price	21" Deep w/Butt Doors	Price
POT11524	\$73.32	—	—	POT11521	\$70.64	—	—
POT11824	74.82	—	—	POT11821	72.14	—	—
POT12124	76.32	—	—	POT12121	73.64	—	—
POT12424	77.82	—	—	POT12421	75.14	—	—
—	—	POT12724BD	79.32	—	—	POT12721BD	76.64
—	—	POT13024BD	80.82	—	—	POT13021BD	78.14
—	—	POT13324BD	82.32	—	—	—	—
—	—	POT13624BD	83.82	—	—	POT13621BD	81.14
—	—	POT13924BD	85.32	—	—	—	—
—	—	POT14224BD	86.82	—	—	—	—

POT1/CSPOT1CS - Pull-Out Trays


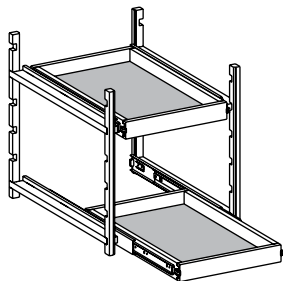
Custom Size Ranges
 Width: 30"– 48"
 Height: 34-1/2"
 Depth: 21", 24"

- Corner cleats can be trimmed to size when used with a shelf.

24" Deep	Price	24" Deep w/Butt Doors	Price	21" Deep	Price	21" Deep w/Butt Doors	Price
POT13024	\$133.17	—	—	POT13021N	\$127.81	—	—
POT13324	134.67	—	—	—	—	—	—
POT13624	136.17	—	—	POT13621N	130.81	—	—
POT13924	137.67	—	—	—	—	—	—
POT14224	139.17	—	—	—	—	—	—
POT14524	140.67	—	—	—	—	—	—
POT14824	142.17	—	—	—	—	—	—

Options Key: D=Number of Doors DF=Number of Drawer Fronts DB=Drawer Boxes EXT=Extended Stiles EXP=Exposed End(s)
 FL=Flush End(s) WS=Solid Wood Shelves MI=Matching Interior FT=Flush Toe

POT2/CSPOT2 - Pull-Out Trays

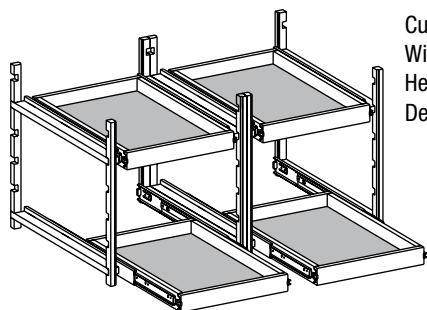


Custom Size Ranges
 Width: 15"– 42"
 Height: 34-1/2"
 Depth: 21", 24"

- Corner cleats can be trimmed to size when used with a shelf.

24" Deep	Price	24" Deep w/Butt Doors	Price	21" Deep	Price	21" Deep w/Butt Doors	Price
POT21524	\$115.92	—	—	POT21521	\$110.52	—	—
POT21824	118.92	—	—	POT21821	113.56	—	—
POT22124	121.92	—	—	POT22121	116.56	—	—
POT22424	124.90	—	—	POT22421	119.56	—	—
—	—	POT22724BD	127.92	—	—	POT22721BD	122.56
—	—	POT23024BD	130.92	—	—	POT23021BD	125.56
—	—	POT23324BD	133.92	—	—	—	—
—	—	POT23624BD	136.92	—	—	POT23621BD	131.56
—	—	POT23924BD	139.92	—	—	—	—
—	—	POT24224BD	142.92	—	—	—	—

POT2/CSPOT2CS - Pull-Out Trays



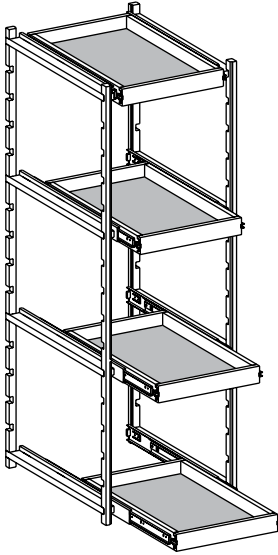
Custom Size Ranges
 Width: 30"– 48"
 Height: 34-1/2"
 Depth: 21", 24"

- Corner cleats can be trimmed to size when used with a shelf.

24" Deep	Price	24" Deep w/Butt Doors	Price	21" Deep	Price	21" Deep w/Butt Doors	Price
POT23024	\$219.18	—	—	POT23021	\$208.46	—	—
POT23324	222.18	—	—	—	—	—	—
POT23624	225.18	—	—	POT23621	214.46	—	—
POT23924	228.18	—	—	—	—	—	—
POT24224	231.18	—	—	—	—	—	—
POT24524	234.18	—	—	—	—	—	—
POT24824	237.18	—	—	—	—	—	—

Options Key: **D**=Number of Doors **DF**=Number of Drawer Fronts **DB**=Drawer Boxes **EXT**=Extended Stiles **EXP**=Exposed End(s)
FL=Flush End(s) **WS**=Solid Wood Shelves **MI**=Matching Interior **FT**=Flush Toe

POTT/CSPOTT - Pull-Out Trays Tall

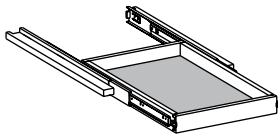


Custom Size Ranges
Width: 15"– 36"
Height: 84"– 96"
Depth: 21", 24"

- Corner cleats can be trimmed to size when used with a shelf.
- Unit fits larger section of 84", 90", or 96" high cabinets.

24" Deep	Price	24" Deep w/Butt Doors	Price	21" Deep	Price	21" Deep w/Butt Doors	Price
POTT1524	\$240.13	POTT2724BD	\$264.13	—	—	—	—
POTT1824	246.13	POTT3024BD	270.13	POTT1821	235.41	—	—
POTT2124	252.13	POTT3324BD	276.13	POTT2121	241.41	—	—
POTT2424	258.09	POTT3624BD	282.13	POTT2421	247.41	—	—

POTS/CSPOTS - Pull-Out Trays Single - Single Opening

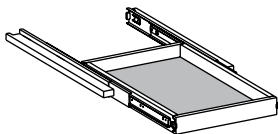


Custom Size Ranges
Width: 15"– 48"
Height: 34-1/2"
Depth: 21", 24"

- No corner cleats included.
- Designed to be used when additional trays are needed within a POT system one opening wide.

24" Deep	Price	24" Deep w/Butt Doors	Price	21" Deep	Price	21" Deep w/Butt Doors	Price
POTS1524	\$56.88	POTS2724BD	\$62.88	POTS1521	\$54.20	POTS2721BD	\$60.20
POTS1824	58.38	POTS3024BD	64.38	POTS1821	55.70	POTS3021BD	61.70
POTS2124	59.88	POTS3324BD	65.88	POTS2121	57.20	—	—
POTS2424	61.38	POTS3624BD	67.38	POTS2421	58.70	POTS3621BD	64.70

POTS/CSPOTSCS - Pull-Out Trays Single - Double Opening



Custom Size Ranges
Width: 30"– 48"
Height: 34-1/2"
Depth: 21", 24"

- No corner cleats included.
- Designed to be used when additional trays are needed within a POT system two openings wide.

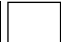
24" Deep	Price	24" Deep w/Butt Doors	Price	21" Deep	Price	21" Deep w/Butt Doors	Price
POTS3024	\$57.29	—	—	POTS3021	\$54.61	—	—
POTS3324	58.04	—	—	—	—	—	—
POTS3624	58.79	—	—	POTS3621	56.11	—	—
POTS3924	59.54	—	—	—	—	—	—
POTS4224	60.29	—	—	—	—	—	—
POTS4524	61.04	—	—	—	—	—	—
POTS4824	61.79	—	—	—	—	—	—


Options Key: D=Number of Doors DF=Number of Drawer Fronts DB=Drawer Boxes EXT=Extended Stiles EXP=Exposed End(s)
FL=Flush End(s) WS=Solid Wood Shelves MI=Matching Interior FT=Flush Toe

Moulding Pricing and Availability (All pricing per 8 ft. piece)

Design and Profile	Size	Cherry	Maple, Hard	Maple, Soft	Oak, Red
Crown 6 R	2-9/16"	\$33.00	\$28.00	\$24.00	\$28.00
Crown 24 R	4-5/16"	48.00	42.00	44.00	49.00
Crown 33 R	1-9/16"	24.00	20.00	19.00	20.00
Crown 619 R	3-3/8"	42.00	36.00	28.00	32.00
Large Cove 1524 R	3-13/16"	46.00	39.00	35.00	37.00
Crown 2324	3-7/8"	46.00	39.00	35.00	37.00
Crown 2325	5-1/2"	63.00	57.00	55.00	59.00
Crown 801 w/mounting plate R	3-9/16"	75.00	70.00	47.00	52.00
Shaker Crown 1126 w/mounting plate R	3-5/8"	78.00	70.00	51.00	55.00
Light Rail B11 R	1-1/2"	26.00	24.00	20.00	22.00
Light Rail 2380 w/mounting plate	1-3/4"	70.00	65.00	52.00	54.00
Batten 13 R	1-1/4"	17.00	16.00	15.00	15.00
Scribe 14 R	1-1/4"	17.00	16.00	15.00	15.00
Inside Corner Cove 11 R	3/4"	17.00	16.00	15.00	15.00
Outside Corner 12	3/4"	17.00	16.00	15.00	15.00
Colonial Base 10 R	4-1/2"	54.00	46.00	45.00	49.00
Beaded Base 381 R	4-1/2"	54.00	46.00	45.00	49.00
Beaded Panel B09	3-1/4"	37.00	33.00	24.00	26.00

- Size is nominal. Actual 8 foot length is between 94" and 97".
- 12 ft. mouldings available in select profiles and species. See section 9 of the Custom Product Manual for availability and pricing.
- Maximum stock order per specific profile and specie is 25 pieces. Additional pieces take 10 days.
- When ordering dual-side profile products, specify "Face Side A" or "Face Side B".
- 8 foot mouldings can be ordered finished "Face Only" or finished "Face and Back". See section 9 of the Custom Product Manual for pricing details.
- See the Moulding section of the Custom Product Manual for additional moulding selections and pricing.

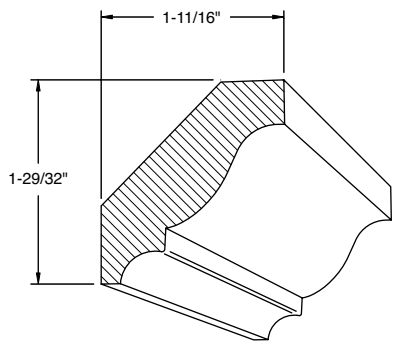
Key
 Non-stock item
10 day lead-time.

 Stock item—3 day lead-time/2 day red expedite
(20% upcharge).

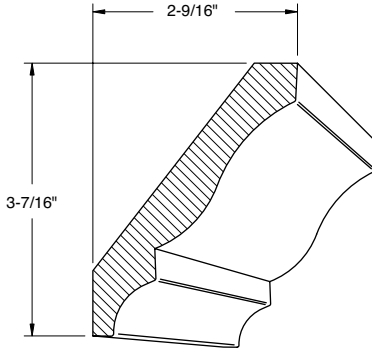
 See Radius Products section of Custom Manual for additional information.

Options Key: D=Number of Doors DF=Number of Drawer Fronts DB=Drawer Boxes EXT=Extended Stiles EXP=Exposed End(s)
FL=Flush End(s) WS=Solid Wood Shelves MI=Matching Interior FT=Flush Toe

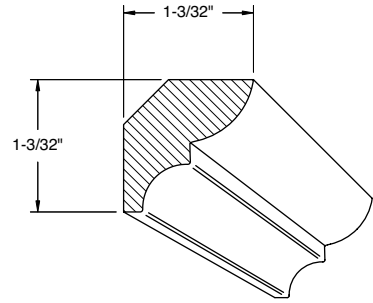
Crown Mouldings



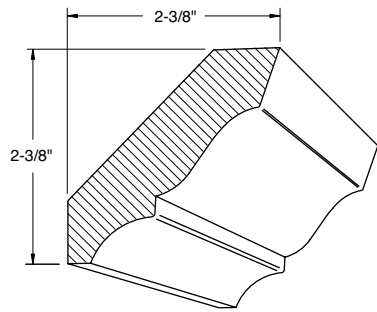
Crown 6



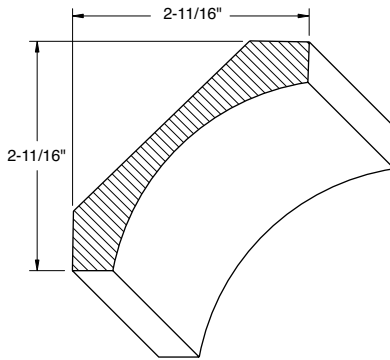
Crown 24



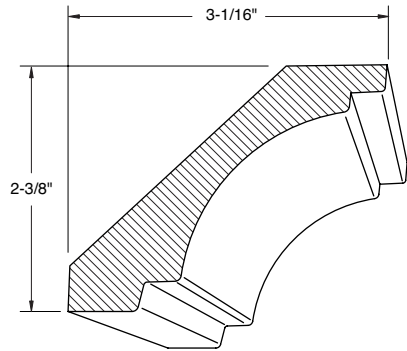
Crown 33



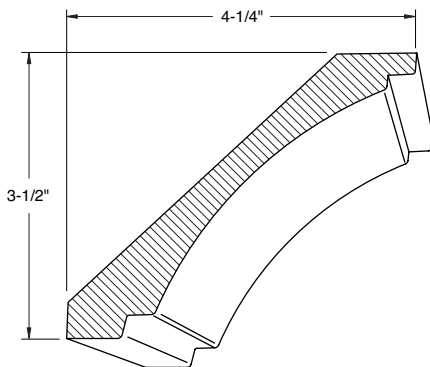
Crown 619



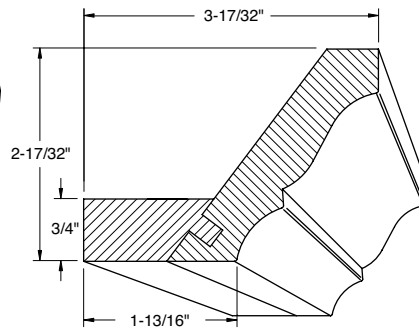
Large Cove 1524



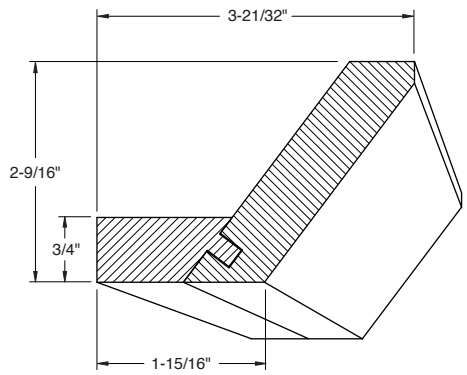
Crown 2324



Crown 2325



Crown 801
w/mounting plate



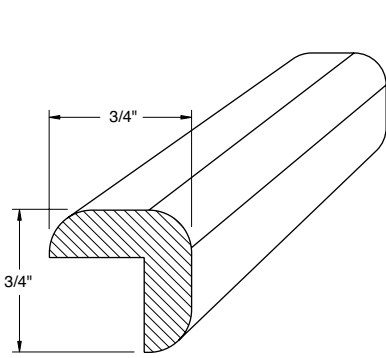
Shaker Crown 1126
w/mounting plate

Note: Drawings not to scale.

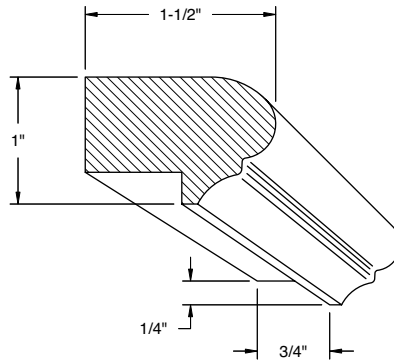
See the Moulding section of the Custom Product Manual for additional moulding selections and pricing.

Options Key: D=Number of Doors DF=Number of Drawer Fronts DB=Drawer Boxes EXT=Extended Stiles EXP=Exposed End(s)
FL=Flush End(s) WS=Solid Wood Shelves MI=Matching Interior FT=Flush Toe

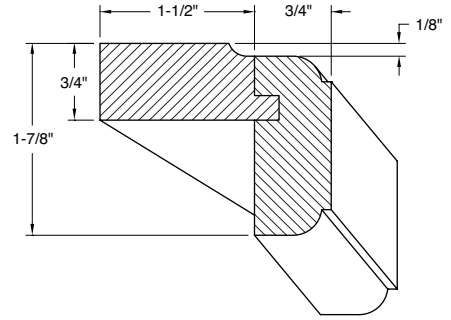
Crown Mouldings



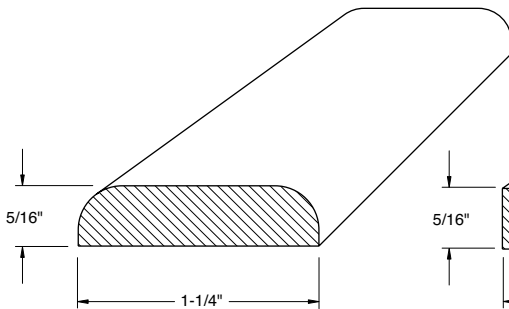
Outside Corner 12



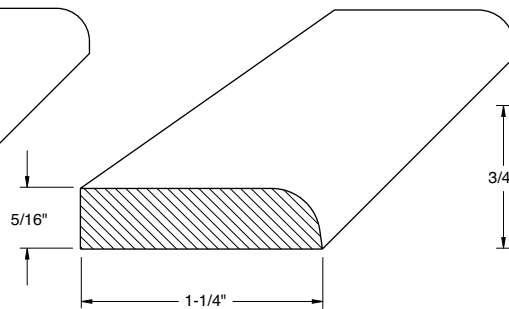
Light Rail B11



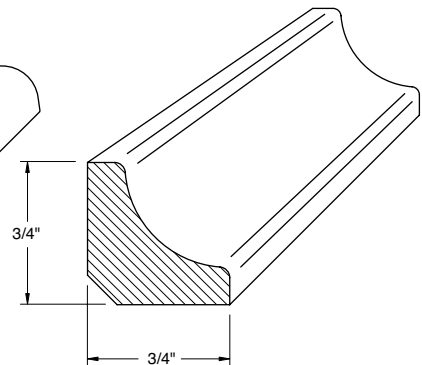
Light Rail 2380†
w/mounting plate



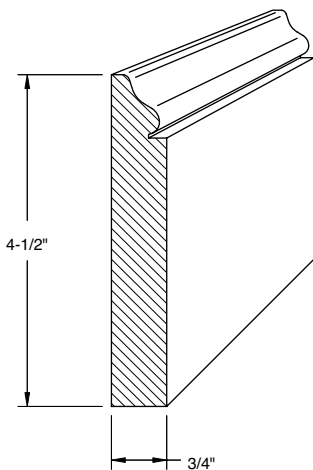
Batten 13



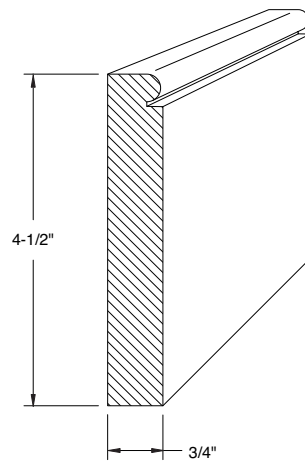
Scribe 14



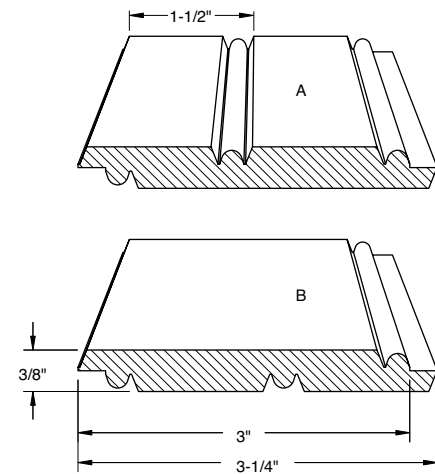
Cove 11



Colonial Base 10



Beaded Base 381



Beaded Panel B09

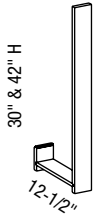
When ordering prefinished product, specify "Finish side A" or "Finish side B."
When ordering dual side profile product, specify "Face side A" or "Face side B".

† Light Rail 2380 is manufactured with matching specie mounting plate. Option to choose edge profile to be applied to top and bottom. See the Moulding section of the Custom Product Manual for additional moulding selections and pricing.

Note: Drawings not to scale.

Options Key: D=Number of Doors DF=Number of Drawer Fronts DB=Drawer Boxes EXT=Extended Stiles EXP=Exposed End(s)
FL=Flush End(s) WS=Solid Wood Shelves MI=Matching Interior FT=Flush Toe

FS/CSFSW - Filler Strip (Wall)

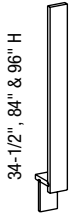


Cabinet Code	Price
FS0330	\$34.28
FS0630	35.52
FS0342	38.45
FS0642	39.69

Custom Size Ranges
Width: 3" & 6"
Height: 12"– 65"
Depth: 5-1/2"– 27"

- Solid wood front strip.

FS/CSFSB - Filler Strip (Base)



Cabinet Code	Price
FS0334.5	\$35.79
FS0634.5	36.65
FS0384	55.24
FS0684	56.10
FS0396	58.12
FS0696	58.98

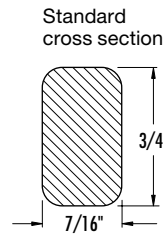
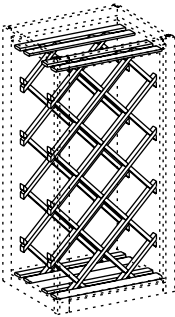
Custom Size Ranges
Width: 3" & 6"
Height: 31-1/2"– 96"
Depth: 4"

- Solid wood front strip.

Plywood Panel Program

- See Specialty Products section of the Custom Product Manual for thickness and specie options.
- To calculate 1/4" thick end skin sizes for most cabinets: width = cabinet depth – 3/4", length = cabinet height.

WLK - Wall Lattice Kits



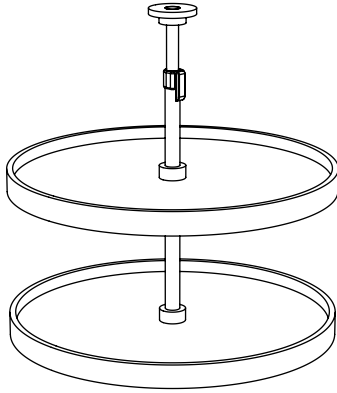
- Available in Cherry, Hard Maple and Red Oak only.
- Kit includes 2 pieces of lattice and 8 pieces of retainer moulding to secure rack in place.
- Order cabinet with matching specie interior.
- See chart for size availability.
- Available with standard lattice wine rack profile only.

Kit Code	Sized For Cabinet	Number of Openings	Price	Kit Code	Sized for Cabinet	Number of Openings	Price
WLK3015	W3015	11	\$95.00	WLK1536	W1536	14	\$85.00
WLK3615	W3615	14	105.00	WLK1836	W1836	14	95.00
WLK3018	W3018	11	100.00	WLK2136	W2136	22	110.00
WLK3618	W3618	14	110.00	WLK1542	W1542	17	100.00
WLK1530	W1530	11	70.00	WLK1842	W1842	17	110.00
WLK1830	W1830	11	90.00	WLK2142	W2142	27	125.00
WLK2130	W2130	17	105.00	—	—	—	—

Options Key: D=Number of Doors DF=Number of Drawer Fronts DB=Drawer Boxes EXT=Extended Stiles EXP=Exposed End(s)
FL=Flush End(s) WS=Solid Wood Shelves MI=Matching Interior FT=Flush Toe

Standard Lazy Susan Shelves

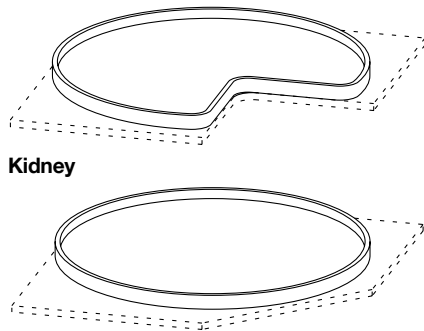
- Entry level plastic susan with two independently rotating shelves mounted on a center pole.
- Shelves feature self lubricating nylon bearing and tool free height adjustment.
- When standard lazy susan shelves are ordered, cabinet interior shelves are automatically omitted.
- See individual cabinet sections for standard lazy susan upgrade pricing.



Part No.	Sized for Cabinet	Description
2100009	WCS/CSWCSE WCA/CSWCA TTWCSE/CSTTWCE	18" Full Round
2100010	BCFD/CSBCFD	32" Full Round
2100011	BLS/CSBLS	32" Kidney
2100012	BLS30/CSBLS30	24" Kidney

Wood Lazy Susan Shelves

- Wood susans are designed to be installed onto adjustable shelves or cabinet floors.
- Pricing includes susan and mounting ring bearing only, cabinet shelves not included.
- No center pole is required.
- Sold individually and packaged with a center mounted ring bearing.
- All susans are prefinished with clear topcoat; unfinished units are not available.



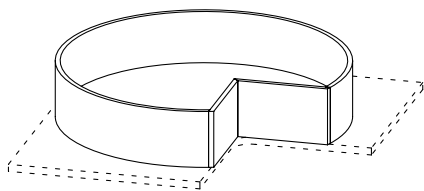
Kidney

Full Round

- 1/2" thick Maple plywood with a 1-1/2" high laminated edge.

Part No.	Sized for Cabinet	Description	Price
2100050A	BLS3634.5N	32" Kidney-Wood Lazy Susan	\$69.50
2100051A	BCFD3634.5N	32" Full Round-Wood Lazy Susan	68.00
2100053A	WCA/WCS	18" Full Round-Wood Lazy Susan	49.50

Deep Wood Lazy Susan Shelf



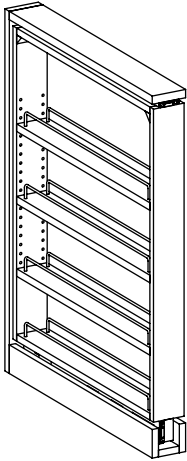
Kidney

- 1/2" thick Maple plywood with a 6" high laminated edge.
- Note: Shelf diameter, profile and contour do not match standard wood kidney listed above.

Part No.	Sized for Cabinet	Description	Price
2100032A	BLS3634.5N	30" Kidney-Wood Lazy Susan	\$129.00

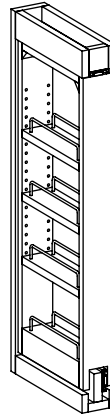
Options Key: D=Number of Doors DF=Number of Drawer Fronts DB=Drawer Boxes EXT=Extended Stiles EXP=Exposed End(s)
FL=Flush End(s) WS=Solid Wood Shelves MI=Matching Interior FT=Flush Toe

Pull-Out Storage Units



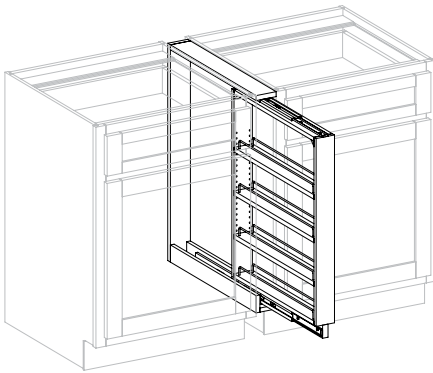
Base Units

- All base storage units 23" deep and 30" high



Wall Units

- Available in 30", 36" and 42" high
- All wall storage units 11-1/8" deep



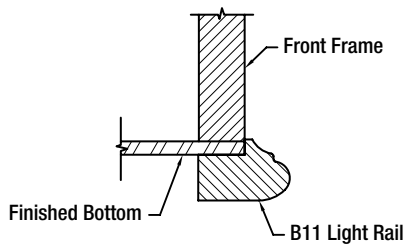
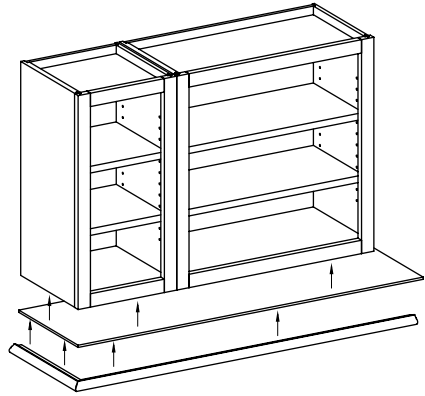
Pull-out Storage Unit Installed

- Mount pull-out storage units to adjacent cabinets

- Pull-out storage units are designed for 3" or 6" spaces between cabinets and can be accessed from both sides.
- Storage units are fully assembled and packaged with installation instructions.
- Wall and base storage units include adjustable shelves with chrome rails and full-extension ball-bearing sides.
- Prefinished Natural Birch only; unfinished units are not available.
- Drawer fronts and overlay fillers are not included and must be ordered separately.

Part No.	Description	Price
2100750A	3" Base Pull-out Storage Unit	\$117.00
2100751A	6" Base Pull-out Storage Unit	138.00
2100752A	3" Wall Pull-out Storage Unit - 30" High	109.00
2100753A	6" Wall Pull-out Storage Unit - 30" High	132.00
2100754A	3" Wall Pull-out Storage Unit - 36" High	115.00
2100755A	6" Wall Pull-out Storage Unit - 36" High	140.00
2100756A	3" Wall Pull-out Storage Unit - 42" High	121.00
2100757A	6" Wall Pull-out Storage Unit - 42" High	144.00

Finished Bottom Panels for Wall Cabinets



- 1/4" plywood strips in Cherry, Hard Maple and Red Oak are available in common wall depths x 96" long.
- Diagonal corner wall panels are available for WCS and WCD cabinets.
- When attached to the underside of wall cabinets, these panels provide flush finished bottoms.
- Use B11 light rail to cover exposed plywood edges.
- For best results attaching B11 at end of run applications, order flush ends (Advantage Line Only).

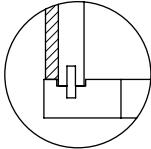
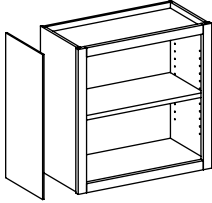
Panel Size/Design	Template No.	Cherry	Hard Maple	Red Oak
96" x 12-1/2"	TB5009	\$32.00	\$29.00	\$24.00
96" x 15-1/2"		39.00	36.00	31.00
96" x 18"		45.00	42.00	37.00
96" x 21"		51.00	48.00	43.00
96" x 24"		58.00	55.00	50.00
Corner panel 24" x 24"	TB5010	18.00	17.00	15.00
Corner panel 27" x 27"		22.00	20.00	18.00

8 Ft. B11 Light Rail for Finished Bottom Panels

Cherry	Hard Maple	Red Oak
\$26.00	\$24.00	\$22.00

Options Key: D=Number of Doors DF=Number of Drawer Fronts DB=Drawer Boxes EXT=Extended Stiles EXP=Exposed End(s)
 FL=Flush End(s) WS=Solid Wood Shelves MI=Matching Interior FT=Flush Toe

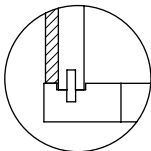
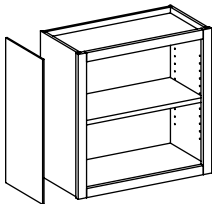
End Skins - Program Species



- Use endskins when exposed or flush ends are necessary.
- Endskins are 1/4" thick on veneer core with sound backs. Face species are Plain Sliced B grade veneers.
- Endskins are available finished or unfinished and will be sent separately from the cabinets. See Section 12, Finishing Program for offering and availability.
- When installed, 1/4" endskins provide a nearly flush end and need to be installed using adhesive.
- To calculate end skins for most cabinets: width = cabinet depth – 3/4"
length = overall cabinet

1/4" Endskins - Program Species		
Specie	Material Charge (per sq. Ft.)	Design Charge
Cherry	\$3.00	\$5.00 (list) per panel
Hard Maple	2.50	
Red Oak	2.00	

Non-standard Specie Option for Cabinet Systems



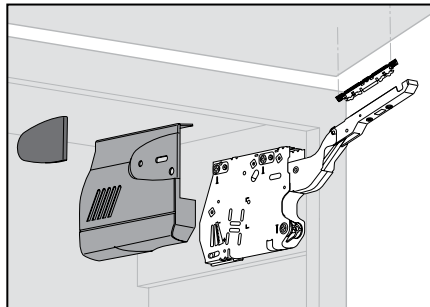
- Species other than the standard program (Cherry, Hard Maple, Soft Maple and Red Oak) are available using custom specie front frames, and precut matching specie endskins for cabinet sides.
- Endskins are 1/4" thick on MDF core with same specie on face and back. Most species are Plain Sliced A faces with 1 backs except Red and White Birch which are rotary cut face and back.
- Endskins are available finished or unfinished and will be sent separately from the cabinets. See Section 9, Solid Wood Finishing in the Custom Product Manual for offering and availability.
- When installed, 1/4" endskins provide a nearly flush end and need to be installed using adhesive.
- Matching specie interior components are not available for non-standard species.
- Conestoga's online software will calculate precut end skins for visible cabinet ends based on the cabinet size. Specify left, right or both sides that require endskins.

1/4" Endskins for Non-Standard Cabinet Systems Species		
Specie	Material Charge (per sq. Ft.)	Design Charge
Alder	\$5.35	\$5.00 (list) per panel
Birch, Red	7.00	
Birch White	5.00	
Caramelized Bamboo	8.50	
MDF* (Raw)	2.10	
Hickory	5.00	
Knotty Pine**	4.35	
Quarter Sawn Red Oak	5.50	
Quarter Sawn White Oak	5.50	
White Oak (Plain Sliced)	5.00	
Walnut	6.50	

*MDF end skins are for painted applications. Face frames are not available in MDF and a specie and grade must be specified.

**Custom face frames are not available in Knotty Pine. Frames are constructed using Clear Pine.

Blum AVENTOS HK Lift System Hardware



- Blum's AVENTOS HK hardware kits provide lift up access on select wall and tall cabinets.
- Available with single wide doors on cabinets up to 36" wide.
- Four AVENTOS kits provide all the necessary hardware to install lift up door access for wall cabinets.
- Kits are designed to accommodate different door design types, weights and overlay options.
- Each kit includes left and right lift mechanisms, cover caps and a separate pair of mounting hardware for framed or frameless cabinet construction.
- All AVENTOS mechanisms have an integrated BLUMOTION soft close feature.
- To determine which AVENTOS kit is suited for your particular application use the following resources:
 - ♦ A link to Blum Hardware's AVENTOS Lift System Calculator is provided on Conestoga's Customer Business Portal under the Marketing Resources tab. Use this tool to calculate the weight of your door.
 - ♦ After you have determined the weight of the door, calculate the Blum Power Factor required to adequately lift the door as follows:

$$\text{Door Weight} + (\text{Handle/Pull Weight} \times 2) = \text{Subtotal} \times \text{Door Height} = \text{Power Factor}$$

AVENTOS HK Reference Chart

Power Factor	HK Kit Series	Part No.	Price
43 – 99	2300	2100350	\$110.00
100 – 174	2500	2100351	110.00
175 – 349	2700	2100352	125.00
350 – 792	2900	2100353	170.00

AVENTOS Accessory Items

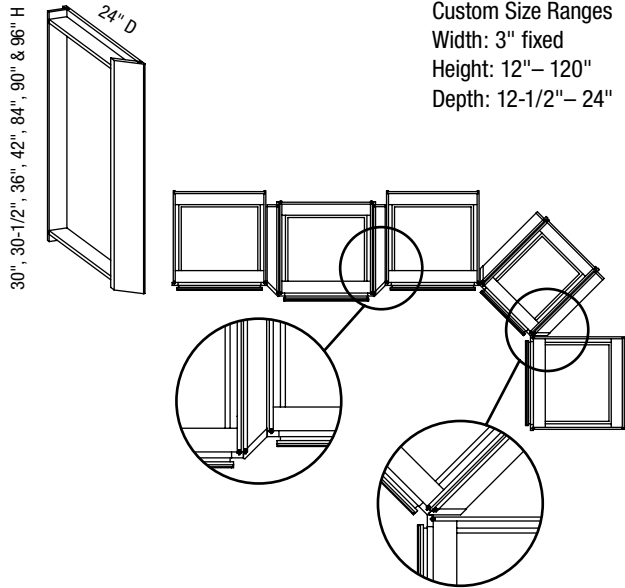
Description	Blum Part No.	Part No.	Price
Mounting Hardware Set	20S4200A	2100354	\$23.00
Restriction Clip	20K7041	2100355	2.75
Restriction Clip	20K7011	2100356	2.75

Specie & Door Design Weight (approx. weight of 1 sq. ft. 3/4" thick door)

Specie (all grades)	Slab Design	TW-series Design	CRP-series Design	Frame Only
Cherry	2 lb. 12 oz.	1 lb. 6 oz.	2 lb.	1 lb. 11 oz.
Hard Maple	2 lb. 12 oz.	1 lb. 11 oz.	2 lb.	
Red Oak	3 lb. 3 oz.	1 lb. 15 oz.	2 lb. 11 oz.	

Options Key: D=Number of Doors DF=Number of Drawer Fronts DB=Drawer Boxes EXT=Extended Stiles EXP=Exposed End(s)
 FL=Flush End(s) WS=Solid Wood Shelves MI=Matching Interior FT=Flush Toe

ZAFL(R) CSZAFL(R) - Zero Angle Filler Left (or Right)



Custom Size Ranges
Width: 3" fixed
Height: 12" – 120"
Depth: 12-1/2" – 24"

D	DF	DB	EXT	EXP	FL	WS	MI	FT
				✓				

- Advantage Line Only.
- Designed to turn 135° corners with standard cabinets or to facilitate break front designs.
- No toe kick; use 30-1/2" high unit for standard base applications with toe kicks or specify CS unit at 34-1/2" high when flush toe is required.
- Non-fluted face is standard; 3 flutes spaced evenly on angled face are optional. Specify tapered or rounded flutes. If not specified, flutes will be produced using the tapered design.
- Flute spacing (No option):
 - ZAF heights 30" – 42" have 2" spacing top and bottom.
 - ZAF heights 84" – 90" have 2" top spacing – specify 2" or 6" bottom spacing.

Cabinet Code	Price	Cabinet Code	Price	Cabinet Code	Price	Cabinet Code	Price
ZAFL0330	\$93.43	ZAFL0336	\$100.77	ZAFL0384	\$186.06	ZAFL0396	\$205.11
ZAFR0330	93.43	ZAFR0336	100.77	ZAFR0384	186.06	ZAFR0396	205.11
ZAFL0330.5	94.05	ZAFL0342	116.48	ZAFL0390	197.78		
ZAFR0330.5	94.05	ZAFR0342	116.48	ZAFR0390	197.08		

Options Key: D=Number of Doors DF=Number of Drawer Fronts DB=Drawer Boxes EXT=Extended Stiles EXP=Exposed End(s)
FL=Flush End(s) WS=Solid Wood Shelves MI=Matching Interior FT=Flush Toe